

Wireless and battery-operated
LED Gobo projector

NITEC
powered by EK

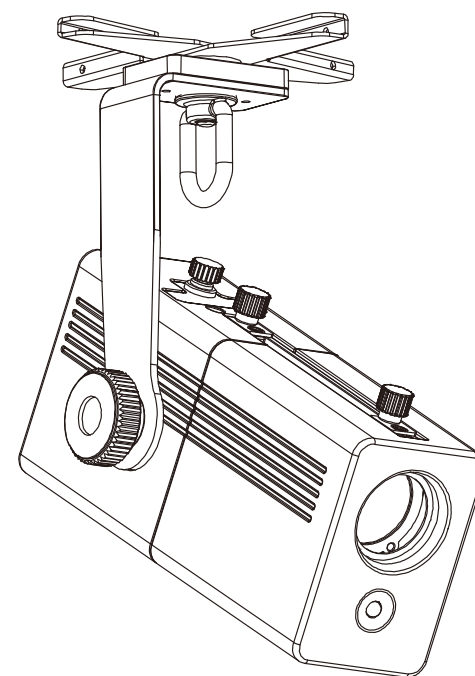


TABLE OF CONTENTS

SAFETY / GENERAL INSTRUCTIONS

INTRODUCTION

Features

Specifications

OVERVIEW : CONNECTIONS

Rear view

MOUNTING

GOBO DETAILS

GOBO REPLACEMENT

IR6 REMOTE CONTROL OPERATION

RECHARGING GUIDELINES

PACKING CONTENT

- iGOBO
- External power adapter
- 10 metal gobos
- IR6 remote
- User Manual
- Warranty Card

INFRARED (IR6) REMOTE CONTROL OPERATION

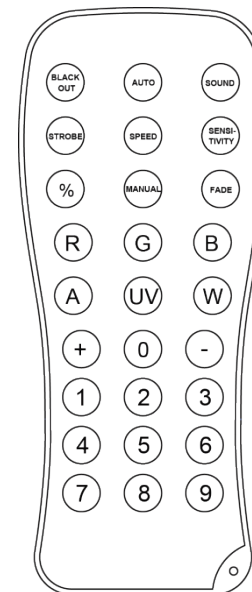
The IR6 infrared controller enables remote control of the iGOBO.

IR6 BUTTON FUNCTIONS

+ / - : Increases / decreases light output (5 levels)

BLACKOUT : Turns the iGOBO LED on and off

W : Set to max brightness



RECHARGING GUIDELINES

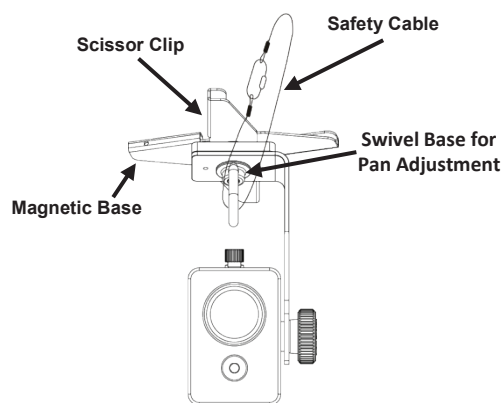
The iGobo comes with a rechargeable battery. To charge the battery, simply plug into the included external power adapter. The iGobo may be on or off during the recharging cycle. The indicator light will be red during charging and green when charging is complete.

For best results, charge the iGobo for 24 hours before first use.

Normal charging time is 4 hours.

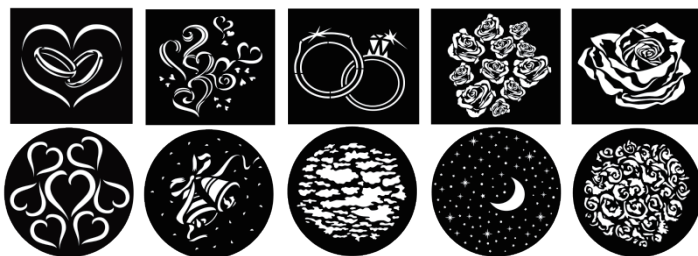
Maximum operating time varies from 5 to 16 hours depending on selected output level.

MOUNTING



GOBOS

The iGobo comes with 10 festive gobos. The iGobo also accepts custom gobos (metal, transparent media or 35mm photographic slides). Maximum gobo image size is 25.8mm x 18.6mm.



GOBO REPLACEMENT

1. Loosen and unscrew gobo holder thumbscrew
2. Remove gobo holder
3. Remove expansion ring
4. Remove gobo from gobo holder
5. Place new gobo in the gobo holder
6. Reinstall expansion ring
7. Reinstall gobo holder and tighten thumbscrew




WARNING! Before carrying out any operations with the unit, carefully read this instruction manual and keep it with care for future reference. It contains important information about the installation, usage and maintenance of the unit.



SAFETY

General instruction

- The products referred to in this manual conform to the European Community Directives and are therefore marked with **CE**.
- The unit is supplied with hazardous network voltage (230V~). Leave servicing to skilled personnel only. Never make any modifications on the unit not described in this instruction manual, otherwise you will risk an electric shock.
- Connection must be made to a power supply system fitted with efficient earthing (Class I appliance according to standard EN 60598-1). It is, moreover, recommended to protect the supply lines of the units from indirect contact and/or shorting to earth by using appropriately sized residual current devices.
- The connection to the main network of electric distribution must be carried out by a qualified electrical installer. Check that the main frequency and voltage correspond to those for which the unit is designed as given on the electrical data label.
- This unit is not for home use, only professional applications.
- Never use the fixture under the following conditions:
 - in places subject to vibrations or bumps;
 - in places with a temperature of over 45 °C.
- Make certain that no inflammable liquids, water or metal objects enter the fixture.
- Do not dismantle or modify the fixture.
- All work must always be carried out by qualified technical personnel. Contact the nearest sales point for an inspection or contact the manufacturer directly.
- If the unit is to be put out of operation definitively, take it to a local recycling plant for a disposal which is not harmful to the environment. 

Warnings and installation precautions

- If this device will be operated in any way different to the one described in this manual, it may suffer damage and the guarantee becomes void. Furthermore, any other operation may lead to dangers like short circuit, burns, electric shock, etc.
- Before starting any maintenance work or cleaning the projector, cut off power from the main supply.
- Always additionally secure the projector with the safety rope. When carrying out any work, always comply scrupulously with all the regulations (particularly regarding safety) currently in force in the country in which the fixture's being used.
- Install the fixture in a well ventilated place.
- Keep any inflammable material at a safe distance from the fixture.
- Shields, lenses or ultraviolet screens shall be changed if they have become damaged to such an extent that their effectiveness is impaired.
- The lamp (LED) shall be changed if it has become damaged or thermally deformed.
- Never look directly at the light beam. Please note that fast changes in lighting, e. g. flashing light, may trigger epileptic seizures in photosensitive persons or persons with epilepsy.
- Do not touch the product's housing when operating because it may be very hot.

INTRODUCTION

The iGOBO is a wireless and battery-operated LED Gobo projector.

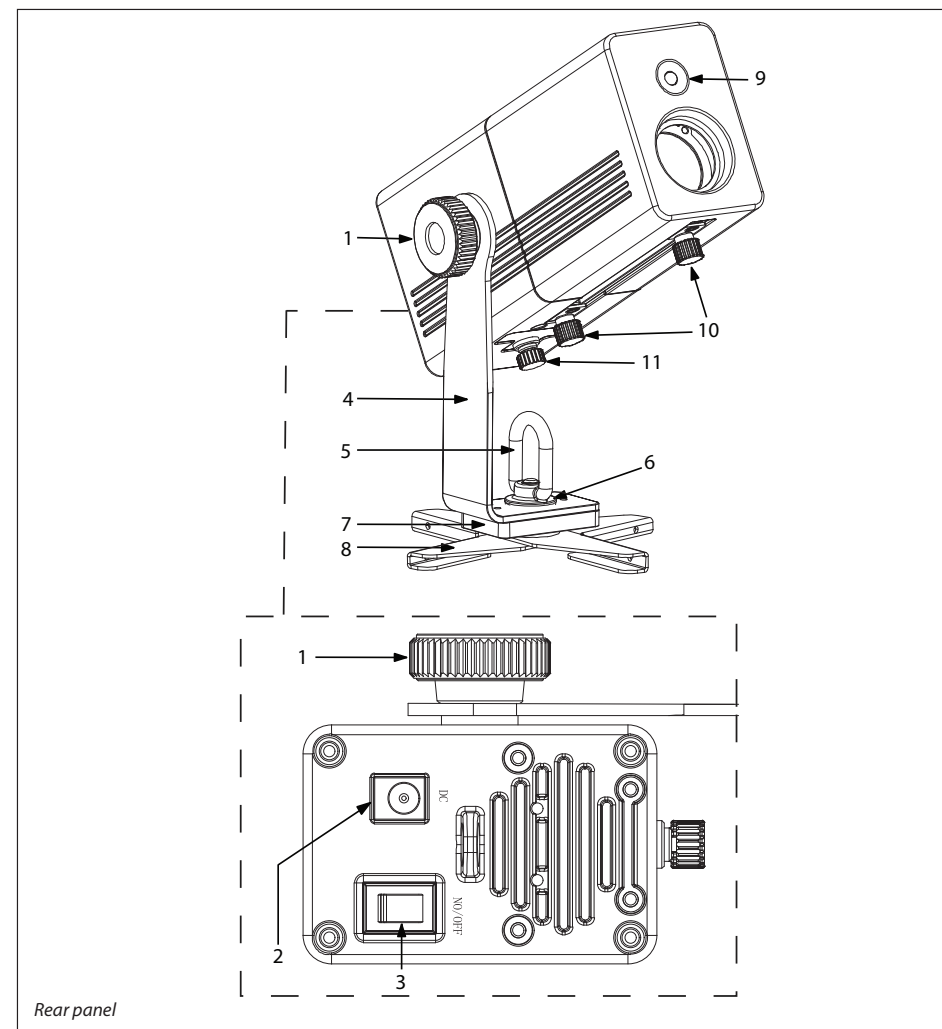
FEATURES

- Battery-operated gobo projector
- External power supply (DC)
- Includes 10 metal gobos for various events
- Custom gobos can be printed on transparency film
- Lithium battery runs Full On for 5 hours
- Scissors clip and magnetic mounting solutions
- Die-cast housing for efficient cooling and heavy-duty durability
- High frequency LED modulation for flicker-free video
- 10° - 15° manual zoom
- Fine gobo focus
- Wireless on/off and dimming
- IR6 infrared remote control included

SPECIFICATIONS

Light Source:	1 x 10W White LED
Zoom range:	10° - 15°
Colors:	White, 6500K
Output:	670 lux @ 2m @ 15°
Gobo Size:	25.8 mm OD; 18.6 mm (image); 0.2 mm max thickness
Strobe:	0 - 30 Hz
Dimming:	5 selectable output levels
Control:	IR remote
Mains:	100 - 240 VAC, 50/60 Hz
Power:	12W / DC8.4V
Power connections:	8.4V DC external adapter (included)
Housing:	Metal
Finish:	White
IP rating:	IP20
Cooling:	Passive
Dimensions:	50 x 74 x 167 mm
Weight:	1.0 KG

OVERVIEW



Rear panel

1. LOCKING KNOB for the mounting bracket.
2. POWER IN
3. POWER SWITCH ON / OFF
4. MOUNTING BRACKET
5. SAFETY RING to attach safety cable
6. REVOLVING BASE for rotation adjustment
7. MAGNETIC BASE for mounting on metal surfaces
8. CLAMP for fixing on the ceiling
9. IR RECEIVER for IR remote control
10. FOCUS AND ZOOM ADJUSTING SCREW to zoom the projected image clearly
11. GOBO SCREW to manually change the projected figure